



00 = area of Uranus  $\pm$  1 mm

00  $\rightarrow$  063

75,605.679,515,393,38 km

0 (omicron)  
0-63

# URANUS

106,922.577,363,103,02 km

equatorial radius : 25,559 km  
polar radius : 24,973 km

calculated area : 8,083,954,117.074,621 km<sup>2</sup>  
rectangle with an area equal to Uranus and a ratio of  $1:\sqrt{2}$  :  
width : 75,605.679,515,393,38 km  
height : 106,922.577,363,103,02 km

This series is printed in the format α57 (199 × 281 mm), the first format that can be affixed on an A4 format.

|     |     |     |
|-----|-----|-----|
| 010 | 011 | 012 |
|     |     | 011 |

08

09

75,605,679,515 mm

06

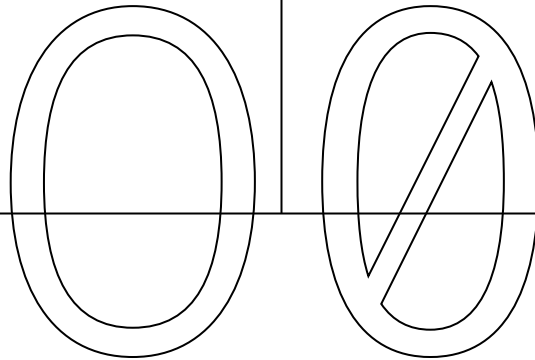
07

04

05

02

03



106,922,577,363 mm

01

75,605,679,515 × 106,922,577,363 mm

1 per 00

≈ 0.05 km² lost due to rounding

00 ≡ omicron zero

53,461,288,681 mm

09

011

012

010

07

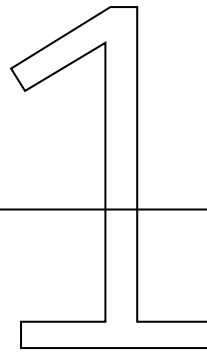
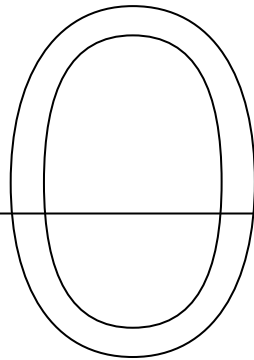
08

05

06

03

04



75,605,679,515 mm

02

53,461,288,681 × 75,605,679,515 mm

2 per 00

≈ 0.125 km² lost due to rounding

01 ≡ omicron one

37,802,839,757 mm

010

012

013

011

08

09

06

07

04

05

02

53,461,288,681 mm

03

37,802,839,757 × 53,461,288,681 mm

4 per 00

≈ 0.232 km² lost due to rounding

02 ≡ omicron two

26,730,644,340 mm

011

013  
014

012

09

010

07

08

05

06

03

37,802,839,757 mm

04

26,730,644,340 × 37,802,839,757 mm

8 per 00

≈ 0.384 km² lost due to rounding

03 ≡ omicron three

18,901,419,878 mm

010

012

|     |     |     |
|-----|-----|-----|
| 014 | 016 | 017 |
|     | 015 |     |
| 013 |     |     |

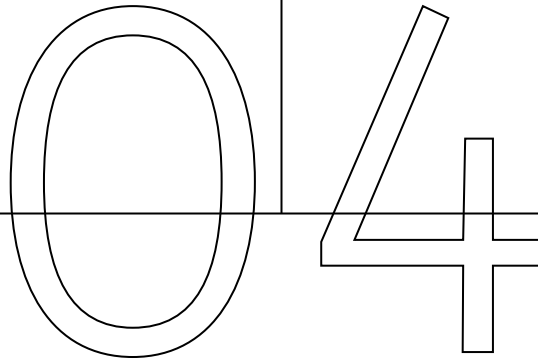
011

08

09

06

07



26,730,644,340 mm

05

18,901,419,878 × 26,730,644,340 mm  
 16 per 00  
 ≈ 0.597 km² lost due to rounding

04 ≡ omicron four

13,365,322,170 mm

013

015  
016

014

011

012

09

010

07

08

05

18,901,419,878 mm

06

13,365,322,170 × 18,901,419,878 mm

32 per 00

≈ 0.597 km² lost due to rounding

05 ≡ omicron five



016  
017

014

015

9,450,709,939 mm

012

013

010

011

08

09

06

13,365,322,170 mm

07

9,450,709,939 × 13,365,322,170 mm

64 per 00

≈ 0.597 km² lost due to rounding

06 ≡ omicron six

|     |     |     |     |
|-----|-----|-----|-----|
| 015 | 016 | 017 | 018 |
|-----|-----|-----|-----|

015

016

014

013

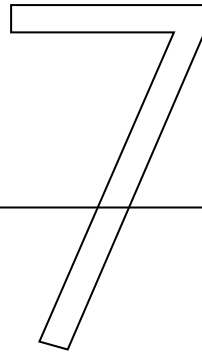
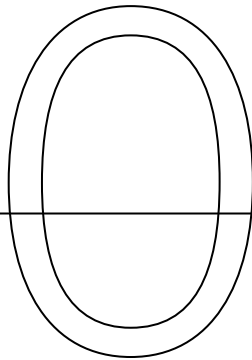
6,682,661,085 mm

011

012

09

010



9,450,709,939 mm

08

6,682,661,085 × 9,450,709,939 mm  
 128 per 00  
 ≈ 0.597 km² lost due to rounding

07 ≡ omicron seven

018  
019

016

017

4,725,354,969 mm

014

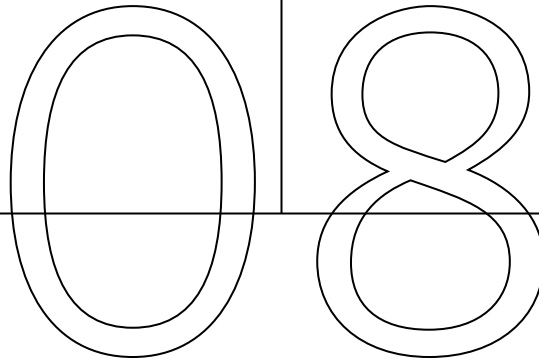
015

012

013

010

011



6,682,661,085 mm

09

4,725,354,969 × 6,682,661,085 mm  
256 per 00  
≈1.453 km² lost due to rounding

08 ≡ omicron eight

|     |     |     |
|-----|-----|-----|
| 019 | 021 | 022 |
|     | 020 |     |

017

018

015

016

3,341,330,542 mm

013

014

011

012

09

4,725,354,969 mm

010

3,341,330,542 × 4,725,354,969 mm  
 512 per 00  
 ≈2.663 km² lost due to rounding

09 ≡ omicron nine

|     |     |     |
|-----|-----|-----|
| 020 | 021 | 022 |
|     | 021 |     |

018

019

016

017

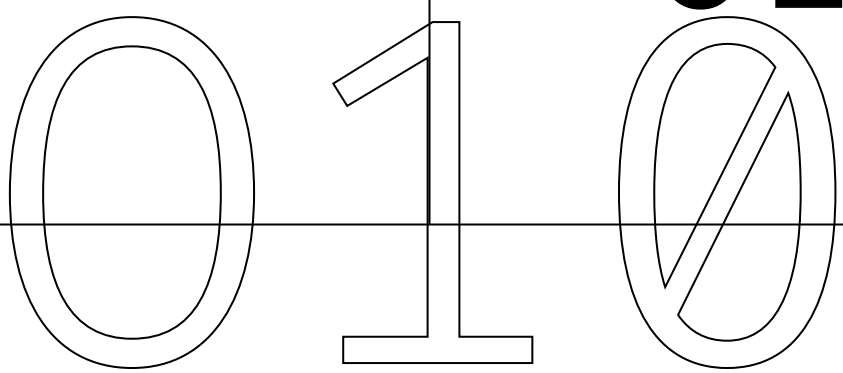
2,362,677,484 mm

014

015

012

013



3,341,330,542 mm

011

2,362,677,484 × 3,341,330,542 mm  
 1,024 per 00  
 ≈ 4.373 km² lost due to rounding

010 ≡ omicron ten

021 022

019

020

1,670,665,271 mm

017

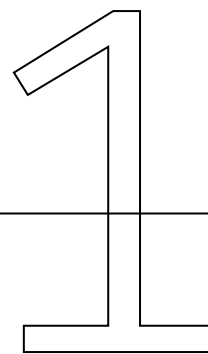
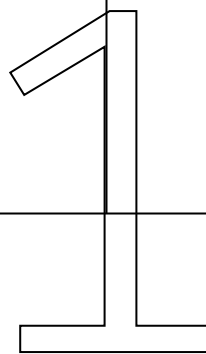
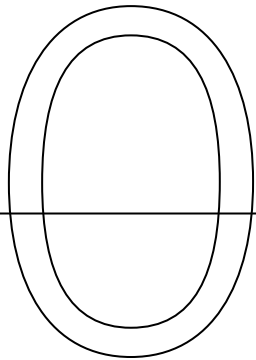
018

015

016

013

014



2,362,677,484 mm

012

1,670,665,271 × 2,362,677,484 mm  
2,048 per 00  
≈ 4.373 km² lost due to rounding

011 ≡ omicron eleven

1,181,338,742 mm

020

|     |     |     |
|-----|-----|-----|
| 022 | 021 | 023 |
|     | 021 |     |

018

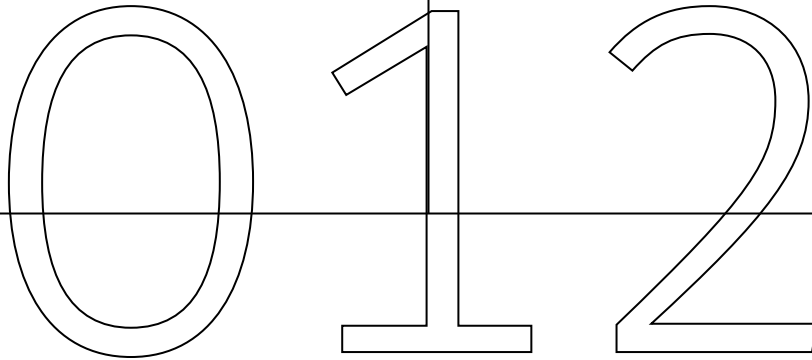
019

016

017

014

015



1,670,665,271 mm

013

1,181,338,742 × 1,670,665,271 mm  
 4,096 per 00  
 ≈ 4.373 km² lost due to rounding

012 ≡ omicron twelve

835,332,635 mm

021

|     |     |
|-----|-----|
| 023 | 024 |
| 022 |     |

019

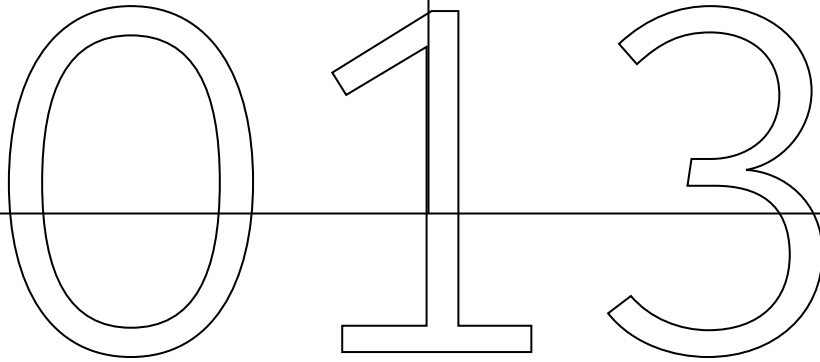
020

017

018

015

016



1,181,338,742 mm

014

835,332,635 × 1,181,338,742 mm

8,192 per 00

≈9.212 km² lost due to rounding

013 ≡ omicron thirteen



590,669,371 mm

022

|     |     |     |
|-----|-----|-----|
| 024 | 026 | 027 |
|     | 025 |     |
| 023 |     |     |

020

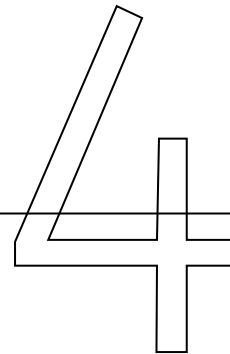
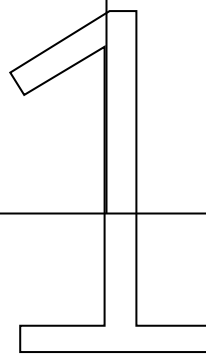
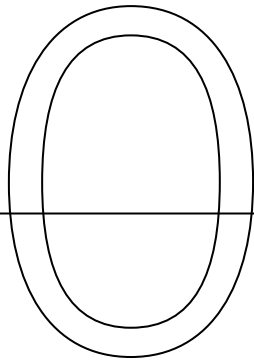
021

018

019

016

017



835,332,635 mm

015

590,669,371 × 835,332,635 mm

16,384 per 00

≈9.212 km² lost due to rounding

014 ≡ omicron fourteen

|     |     |     |
|-----|-----|-----|
| 025 | 027 | 028 |
|     | 026 |     |
|     |     | 024 |

417,666,317 mm

021

023

022

019

020

017

018

015

590,669,371 mm

016

417,666,317 × 590,669,371 mm  
 32,768 per 00  
 ≈18.89 km² lost due to rounding

015 ≡ omicron fifteen

295,334,685 mm

024

|     |     |
|-----|-----|
| 026 | 027 |
| 025 |     |

022

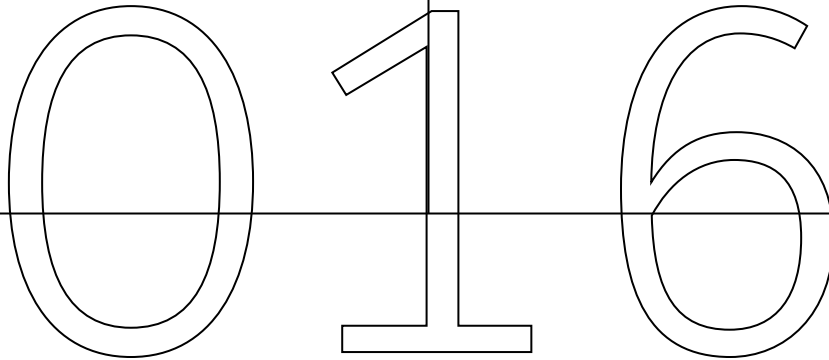
023

020

021

018

019



417,666,317 mm

017

295,334,685 × 417,666,317 mm  
 65,536 per 00  
 ≈ 32.576 km² lost due to rounding

016 ≡ omicron sixteen

027  
028

025

026

208,833,158 mm

023

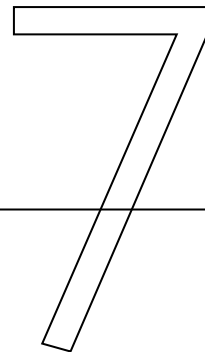
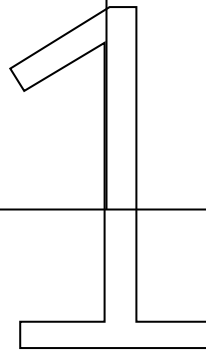
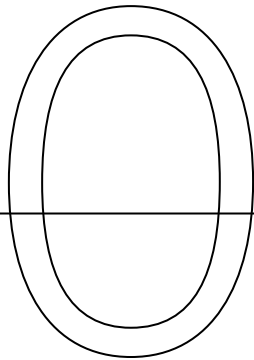
024

021

022

019

020



295,334,685 mm

018

208,833,158 × 295,334,685 mm  
131,072 per 00  
≈ 51.931 km² lost due to rounding

017 ≡ omicron seventeen

028  
029

026

027

147,667,342 mm

024

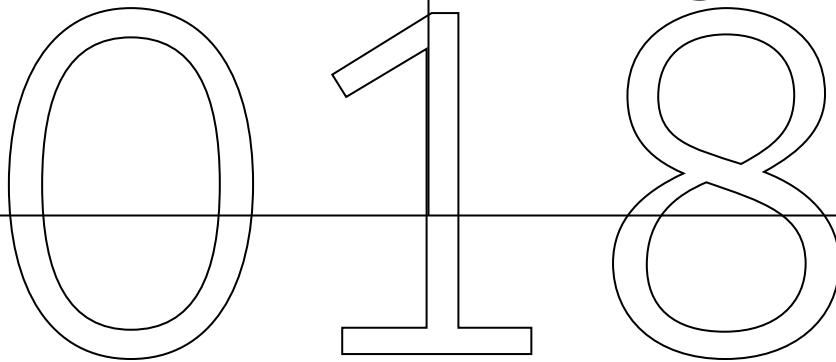
025

022

023

020

021



208,833,158 mm

019

147,667,342 × 208,833,158 mm  
262,144 per 00  
≈ 79.303 km² lost due to rounding

018 ≡ omicron eighteen

104,416,579 mm

027

|     |     |     |
|-----|-----|-----|
| 029 | 031 | 032 |
|     | 030 |     |
| 028 |     |     |

025

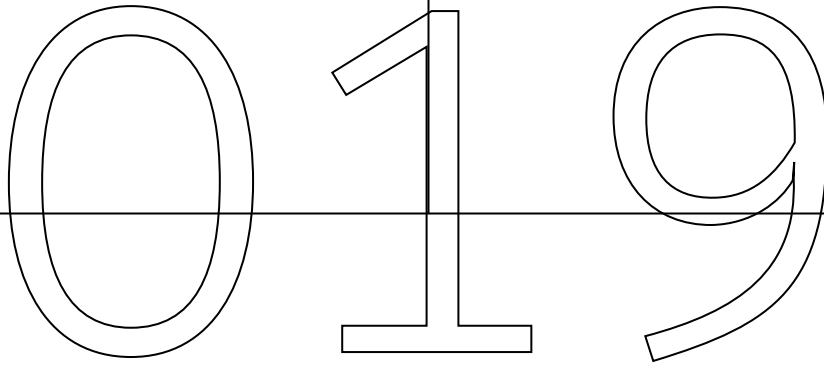
026

023

024

021

022



147,667,342 mm

020

104,416,579 × 147,667,342 mm  
 524,288 per 00  
 ≈ 79.303 km² lost due to rounding

019 ≡ omicron nineteen

|     |     |
|-----|-----|
| 030 | 031 |
|     | 031 |
|     | 029 |

028

026

027

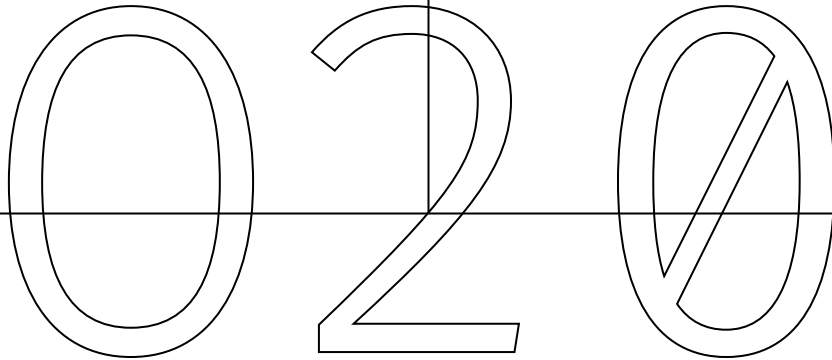
73,833,671 mm

024

025

022

023



104,416,579 mm

021

73,833,671 × 104,416,579 mm  
 1,048,576 per 00  
 ≈ 79.303 km² lost due to rounding

020 ≡ omicron twenty

|     |     |     |
|-----|-----|-----|
| 031 | 031 | 031 |
|     | 032 |     |
|     |     | 030 |

029

027

028

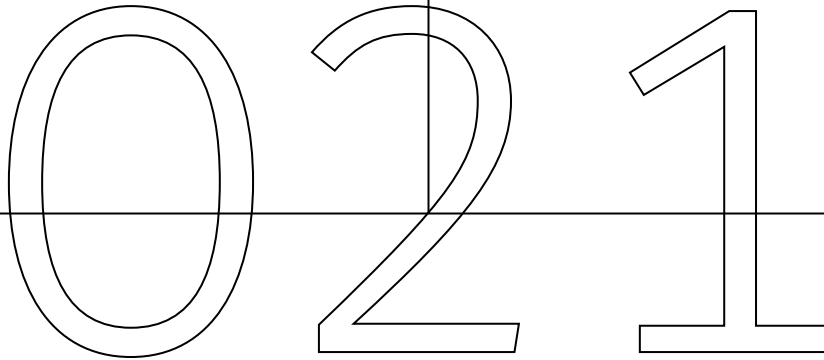
52,208,289 mm

025

026

023

024



73,833,671 mm

022

52,208,289 × 73,833,671 mm  
 2,097,152 per 00  
 ≈ 156.723 km<sup>2</sup> lost due to rounding

021 ≡ omicron twenty-one



|     |     |     |
|-----|-----|-----|
| 032 | 031 | 033 |
|-----|-----|-----|

030

031

36,916,835 mm

028

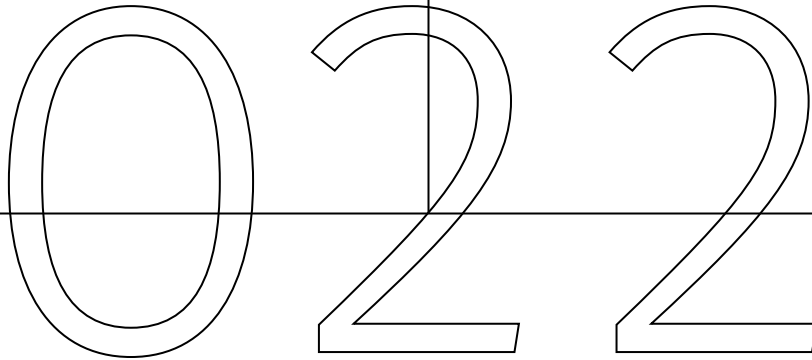
029

026

027

024

025



52,208,289 mm

023

36,916,835 × 52,208,289 mm  
 4,194,304 per 00  
 ≈ 266.212 km<sup>2</sup> lost due to rounding

022 ≡ omicron twenty-two

26,104,144 mm

031

033

034

032

029

030

027

028

025

026

0 2 3

36,916,835 mm

024

26,104,144 × 36,916,835 mm

8,388,608 per 00

≈ 421.052 km<sup>2</sup> lost due to rounding

023 ≡ omicron twenty-three

|     |     |
|-----|-----|
| 034 | 035 |
|-----|-----|

032

033

031

18,458,417 mm

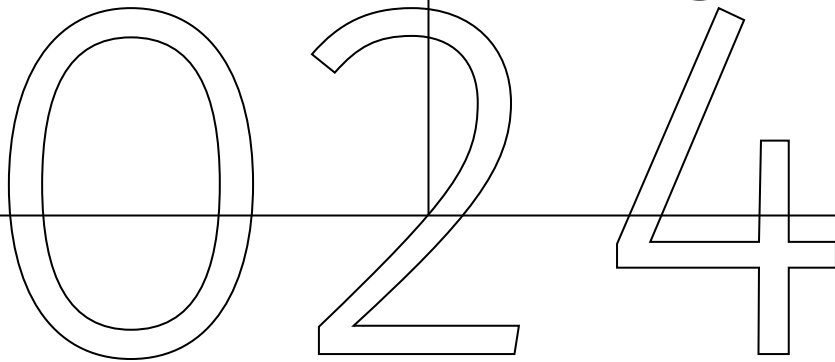
030

028

029

026

027



26,104,144 mm

025

18,458,417 × 26,104,144 mm  
 16,777,216 per 00  
 ≈ 640.03 km<sup>2</sup> lost due to rounding

024 ≡ omicron twenty-four

13,052,072 mm

033

035  
037  
038

036

034

031

032

029

030

027

028

025

18,458,417 mm

026

13,052,072 × 18,458,417 mm  
33,554,432 per 00  
≈ 640.03 km<sup>2</sup> lost due to rounding

025 ≡ omicron twenty-five

|     |     |
|-----|-----|
| 036 | 037 |
| 035 |     |

034

032

033

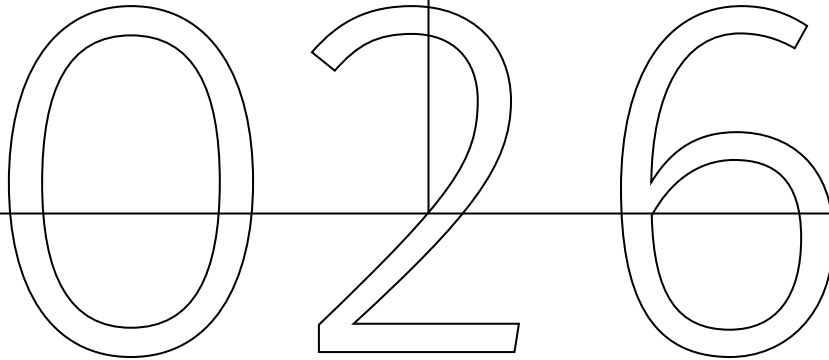
9,229,208 mm

030

031

028

029



13,052,072 mm

027

9,229,208 × 13,052,072 mm

67,108,864 per 00

≈ 1,077.985 km<sup>2</sup> lost due to rounding

026 ≡ omicron twenty-six

029

6,526,036 mm

031

033

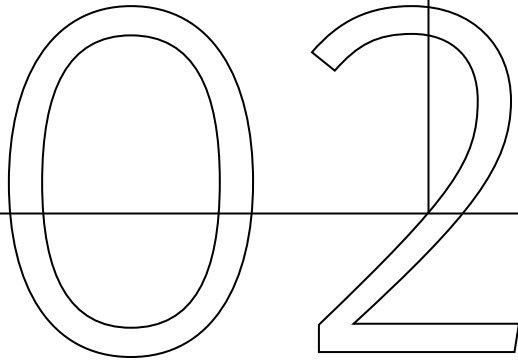
035

037  
038  
036

034

032

030



9,229,208 mm

028

6,526,036 × 9,229,208 mm

134,217,728 per 00

≈ 1,077.985 km² lost due to rounding

027 ≡ omicron twenty-seven

030

4,614,604 mm

032

034

036

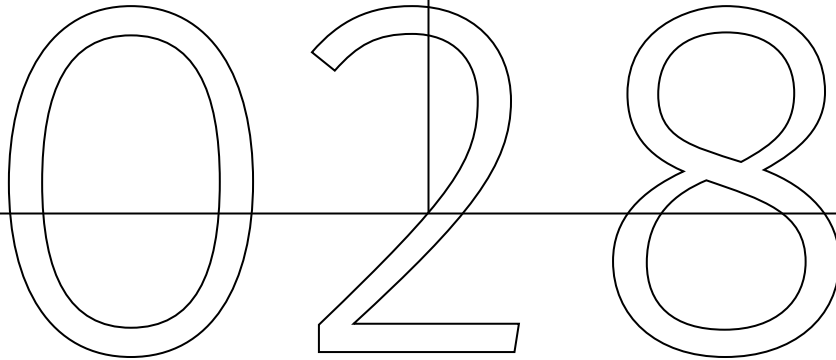
038  
040  
041  
039

037

035

033

031



6,526,036 mm

029

4,614,604 × 6,526,036 mm

268,435,456 per 00

≈ 1,077.985 km<sup>2</sup> lost due to rounding

028 ≡ omicron twenty-eight

031

3,263,018 mm

033

035

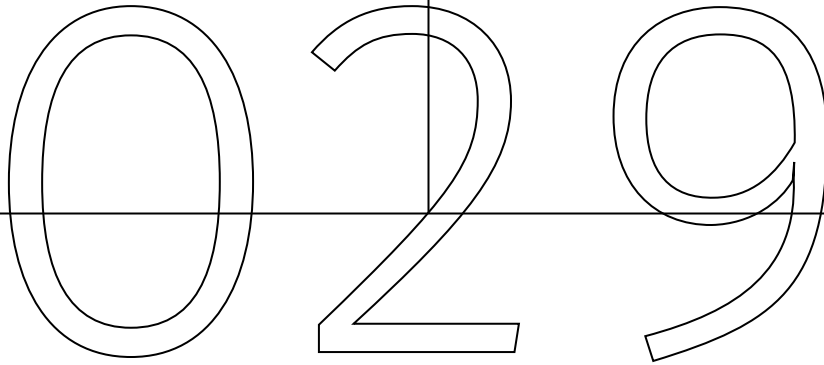
037

|     |     |     |
|-----|-----|-----|
| 039 | 041 | 043 |
|     | 040 |     |
| 038 |     |     |

036

034

032



4,614,604 mm

030

3,263,018 × 4,614,604 mm

536,870,912 per 00

≈ 1,077.985 km<sup>2</sup> lost due to rounding

029 ≡ omicron twenty-nine



032

2,307,302 mm

034

036

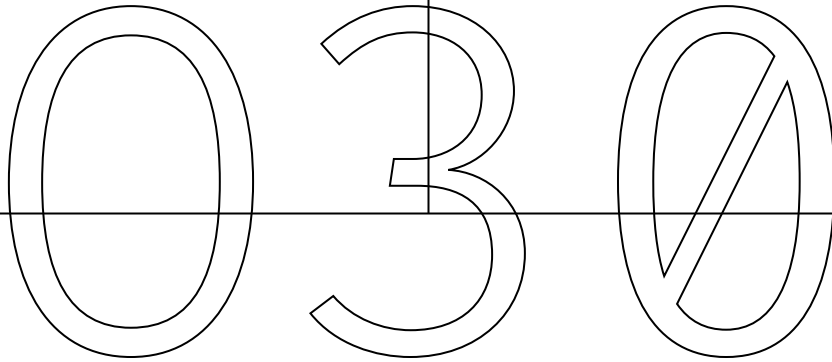
038

039

037

035

033



3,263,018 mm

031

2,307,302 × 3,263,018 mm

1,073,741,824 per 00

≈ 1,077.985 km<sup>2</sup> lost due to rounding

030 ≡ omicron thirty

033

1,631,509 mm

035

037

039

041  
042  
040

038

036

034

031

2,307,302 mm

032

1,631,509 × 2,307,302 mm

2,147,483,648 per 00

≈ 1,077.985 km<sup>2</sup> lost due to rounding

031 ≡ omicron thirty-one

|     |     |
|-----|-----|
| 042 | 043 |
| 041 |     |

040

041

039

1,153,651 mm

038

036

037

034

035

032

1,631,509 mm

033

1,153,651 × 1,631,509 mm  
 4,294,967,296 per 00  
 ≈ 1,077.985 km<sup>2</sup> lost due to rounding

032 ≡ omicron thirty-two

035

815,754 mm

037

039

041

043

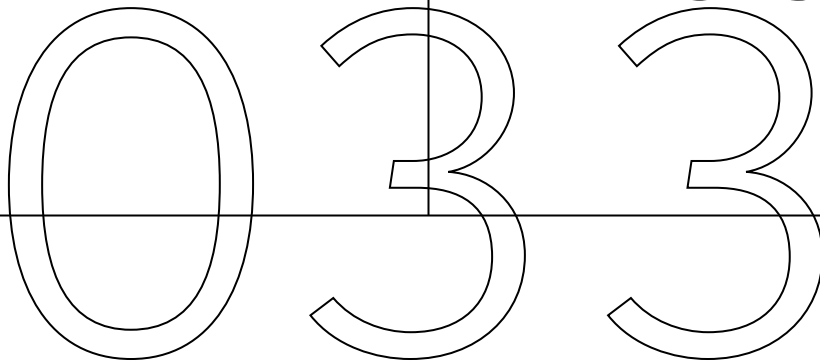
044

042

040

038

036



1,153,651 mm

034

815,754 × 1,153,651 mm

8,589,934,592 per 00

≈ 6,032.878 km² lost due to rounding

033 ≡ omicron thirty-three

|     |     |
|-----|-----|
| 044 | 045 |
| 043 |     |

042

040

041

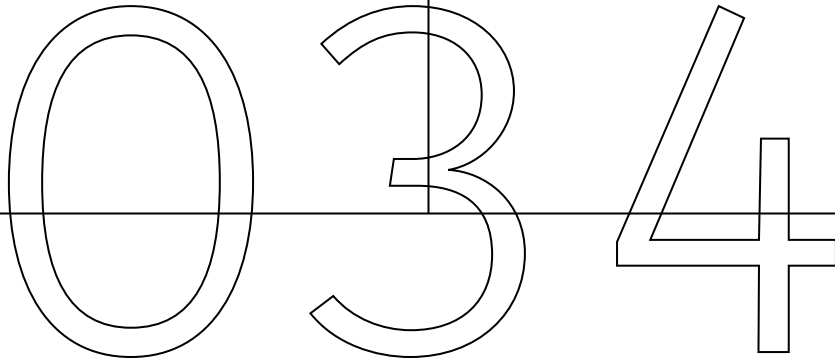
576,825 mm

038

039

036

037



815,754 mm

035

576,825 × 815,754 mm  
 17,179,869,184 per 00  
 ≈ 13,040.151 km² lost due to rounding

034 ≡ omicron thirty-four

037

407,877 mm

039

041

043

045

046

044

042

040

038

035

576,825 mm

036

407,877 × 576,825 mm  
34,359,738,368 per 00  
≈ 13,040.151 km² lost due to rounding

035 ≡ omicron thirty-five

038

288,412 mm

040

042

044

046

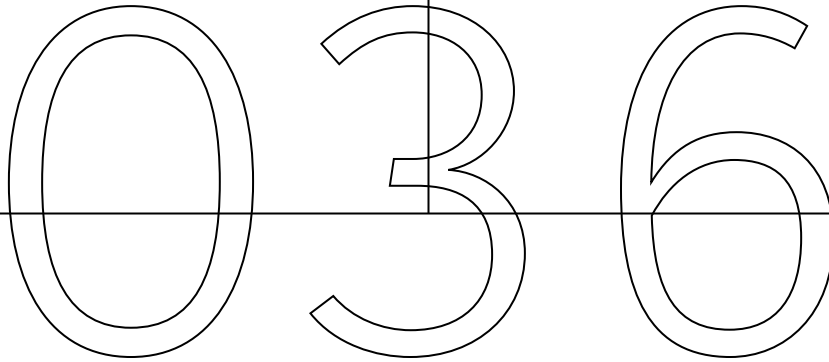
047

045

043

041

039



407,877 mm

037

288,412 × 407,877 mm  
68,719,476,736 per 00  
≈ 27,054.698 km² lost due to rounding

036 ≡ omicron thirty-six

040 041 042 043 044 045 046 047 048

045

046

203,938 mm

043

044

041

042

039

040

037

288,412 mm

038

203,938 × 288,412 mm  
137,438,953,472 per 00  
≈ 46,874.22 km<sup>2</sup> lost due to rounding

037 ≡ omicron thirty-seven



040

144,206 mm

042

044

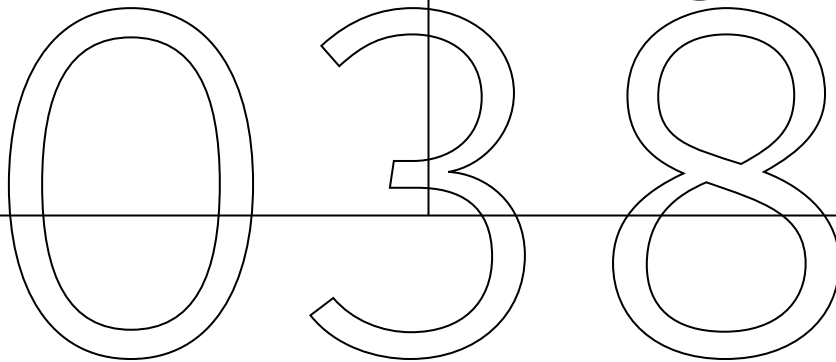
046

|     |     |
|-----|-----|
| 048 | 049 |
| 047 |     |

045

043

041



203,938 mm

039

144,206 × 203,938 mm  
 274,877,906,944 per 00  
 ≈ 46,874.22 km<sup>2</sup> lost due to rounding

038 ≡ omicron thirty-eight

041

101,969 mm

043

045

047

|     |     |     |
|-----|-----|-----|
| 049 | 051 | 052 |
|     | 050 |     |
|     | 048 |     |

046

044

042

039

144,206 mm

040

101,969 × 144,206 mm  
 549,755,813,888 per 00  
 ≈ 46,874.22 km<sup>2</sup> lost due to rounding

039 ≡ omicron thirty-nine

|     |     |
|-----|-----|
| 050 | 051 |
| 048 | 049 |

72,103 mm

046

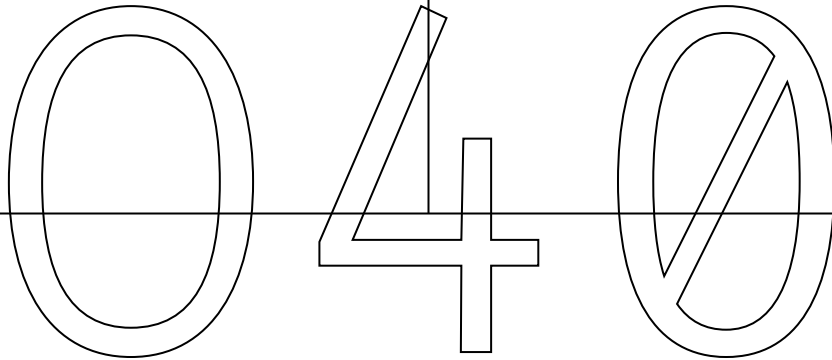
047

044

045

042

043



101,969 mm

041

72,103 × 101,969 mm  
 1,099,511,627,776 per 00  
 ≈ 46,874.22 km<sup>2</sup> lost due to rounding

040 ≡ omicron forty

043

50,984 mm

045

047

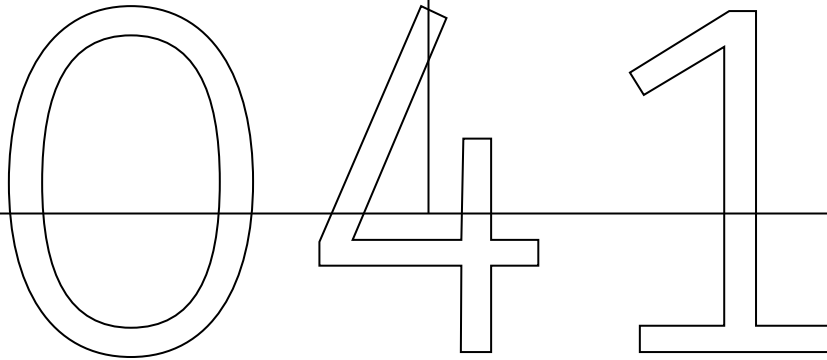
049

|     |     |
|-----|-----|
| 051 | 052 |
| 050 |     |

048

046

044



72,103 mm

042

50,984 × 72,103 mm

2,199,023,255,552 per 00

≈ 126,152.307 km² lost due to rounding

041 ≡ omicron forty-one

|     |     |
|-----|-----|
| 052 | 051 |
|     | 053 |

050

051

049

36,051 mm

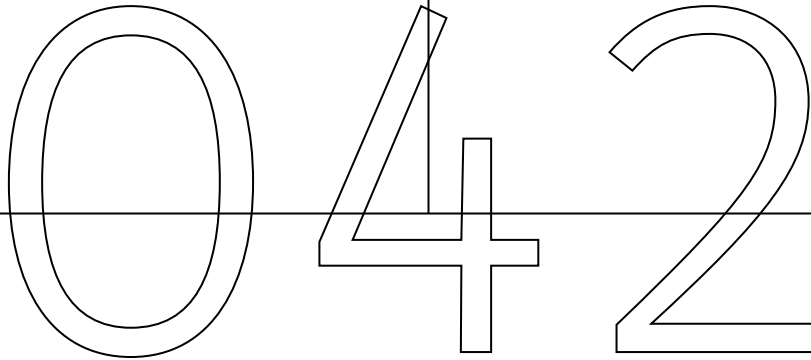
048

046

047

044

045



50,984 mm

043

36,051 × 50,984 mm

4,398,046,511,104 per 00

≈ 238,267.309 km² lost due to rounding

042 ≡ omicron forty-two

045

25,492 mm

047

049

051

053

054

052

050

048

046

043

36,051 mm

044

25,492 × 36,051 mm

8,796,093,022,208 per 00

≈ 238,267.309 km² lost due to rounding

043 ≡ omicron forty-three

046

18,025 mm

048

050

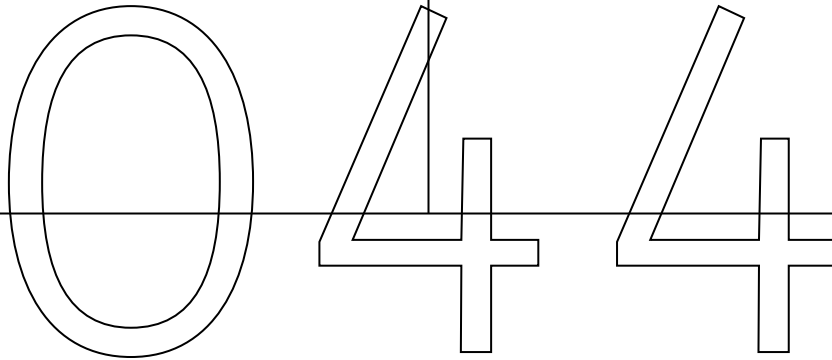
052

|     |     |
|-----|-----|
| 054 | 055 |
| 053 |     |

051

049

047



25,492 mm

045

18,025 × 25,492 mm

17,592,186,044,416 per 00

≈ 462,497.312 km<sup>2</sup> lost due to rounding

044 ≡ omicron forty-four

047

12,746 mm

049

051

053

055

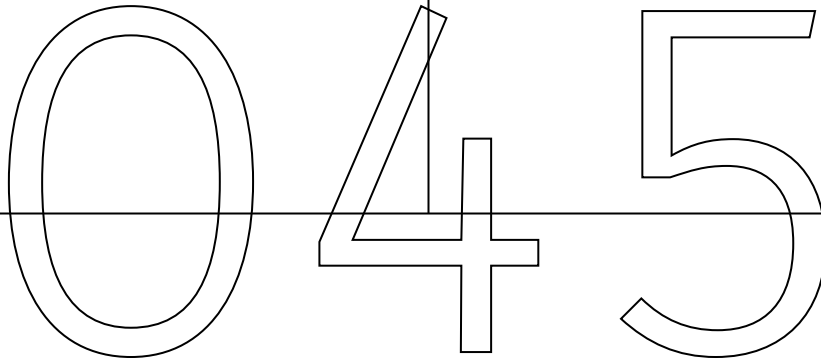
056

054

052

050

048



18,025 mm

046

12,746 × 18,025 mm

35,184,372,088,832 per 00

≈ 462,497.312 km² lost due to rounding

045 ≡ omicron forty-five



048

9,012 mm

050

052

054

056

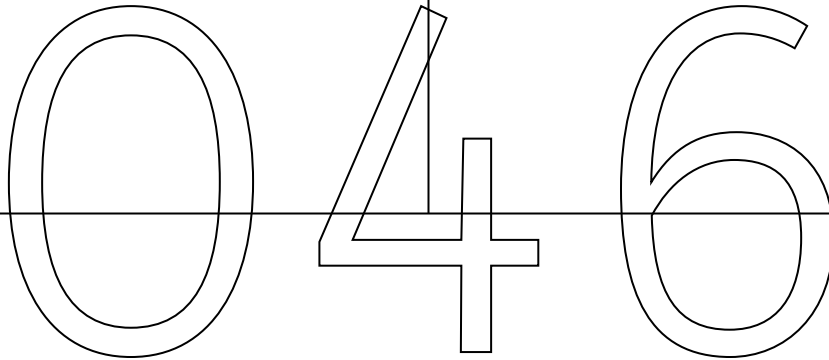
057

055

053

051

049



12,746 mm

047

9,012 × 12,746 mm

70,368,744,177,664 per 00

≈ 910,957.319 km² lost due to rounding

046 ≡ omicron forty-six

049

6,373 mm

051

053

055

057

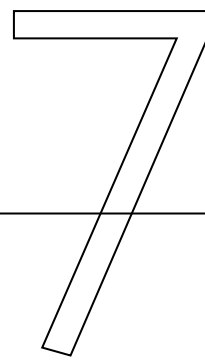
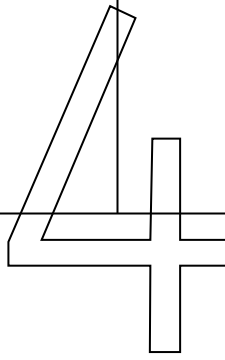
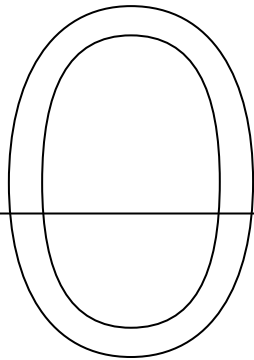
058

056

054

052

050



9,012 mm

048

6,373 × 9,012 mm

140,737,488,355,328 per 00

≈ 910,957.319 km² lost due to rounding

047 ≡ omicron forty-seven

050

4,506 mm

052

054

056

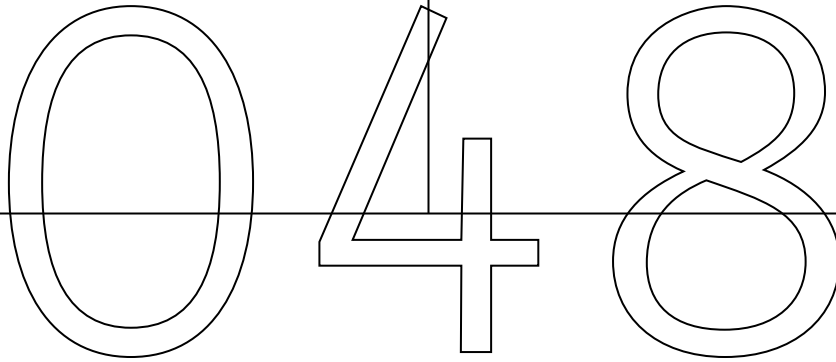
058  
059

057

055

053

051



6,373 mm

049

4,506 × 6,373 mm

281,474,976,710,656 per 00

≈ 910,957.319 km<sup>2</sup> lost due to rounding

048 ≡ omicron forty-eight

051

3,186 mm

053

055

057

|     |     |
|-----|-----|
| 059 | 060 |
| 058 |     |

056

054

052

049

4,506 mm

050

3,186 × 4,506 mm

562,949,953,421,312 per 00

≈ 2,179,283.564 km<sup>2</sup> lost due to rounding

049 ≡ omicron forty-nine

052

2,253 mm

054

056

058

060

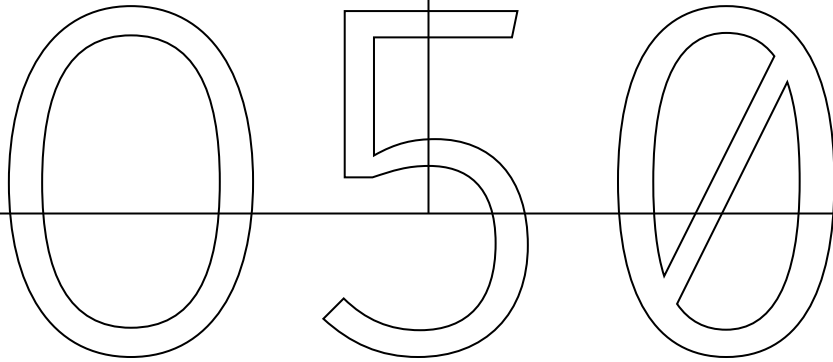
061

059

057

055

053



3,186 mm

051

2,253 × 3,186 mm

1,125,899,906,842,624 per 00

≈ 2,179,283.564 km² lost due to rounding

050 ≡ omicron fifty

053

1,593 mm

055

057

059

061

062

060

058

056

054

051

2,253 mm

052

1,593 × 2,253 mm

2,251,799,813,685,248 per 00

≈ 2,179,283.564 km<sup>2</sup> lost due to rounding

051 ≡ omicron fifty-one

054

1,126 mm

056

058

060

062

063

061

059

057

055

052

1,593 mm

053

1,126 × 1,593 mm

4,503,599,627,370,496 per 00

≈ 5,766,400.667 km<sup>2</sup> lost due to rounding

052 ≡ omicron fifty-two

055

796 mm

057

059

061

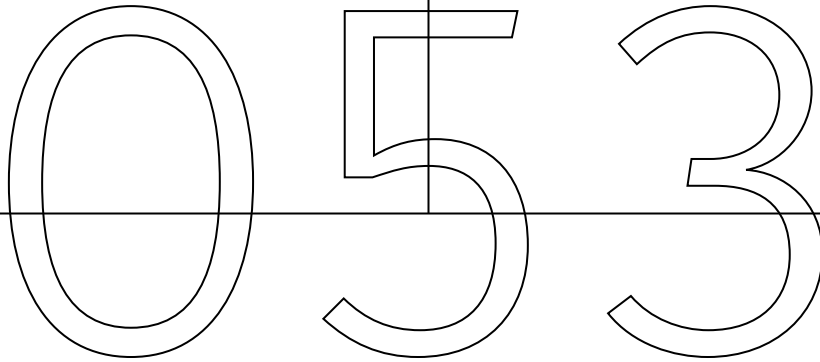
063

062

060

058

056



1,126 mm

054

796 × 1,126 mm

9,007,199,254,740,992 per 00

≈ 10,837,453.847 km<sup>2</sup> lost due to rounding

053 ≡ omicron fifty-three



056

563 mm

058

060

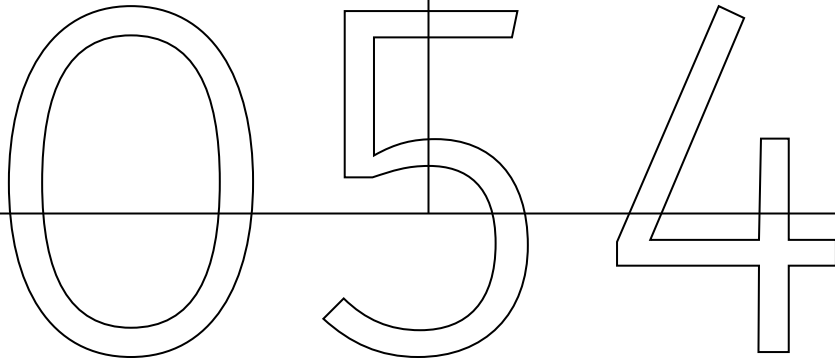
062

063

061

059

057



796 mm

055

563 × 796 mm

18,014,398,509,481,984 per 00

≈ 10,837,453.847 km<sup>2</sup> lost due to rounding

054 ≡ omicron fifty-four

057

398 mm

059

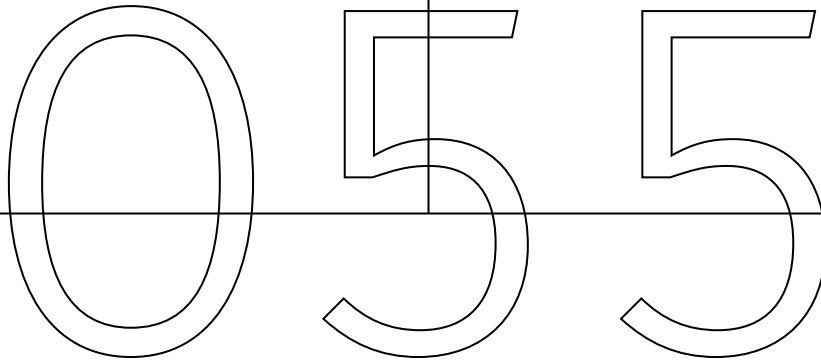
061

063

062

060

058



563 mm

056

398 × 563 mm

36,028,797,018,963,968 per 00

≈ 10,837,453.847 km<sup>2</sup> lost due to rounding

055 ≡ omicron fifty-five

058

281 mm

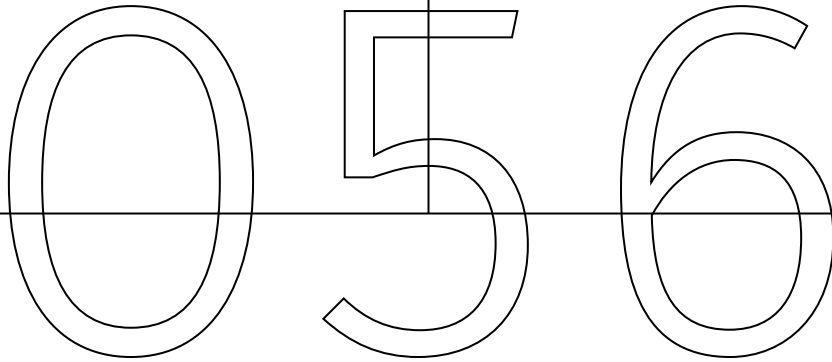
060

062

063

061

059



398 mm

057

281 × 398 mm

72,057,594,037,927,936 per 00

≈ 25,176,915.061 km<sup>2</sup> lost due to rounding

056 ≡ omicron fifty-six

199 mm

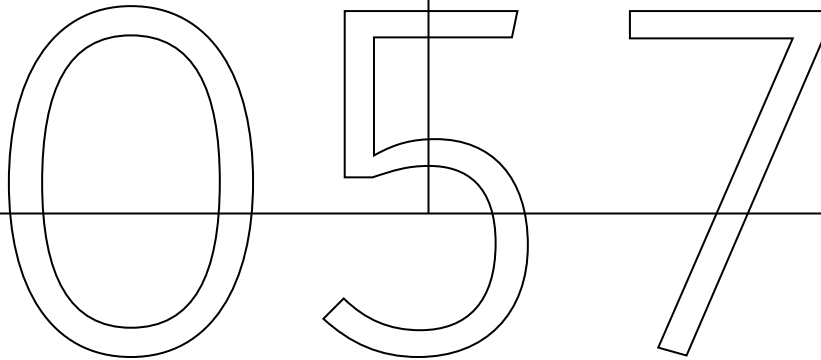
063

061

062

059

060



281 mm

058

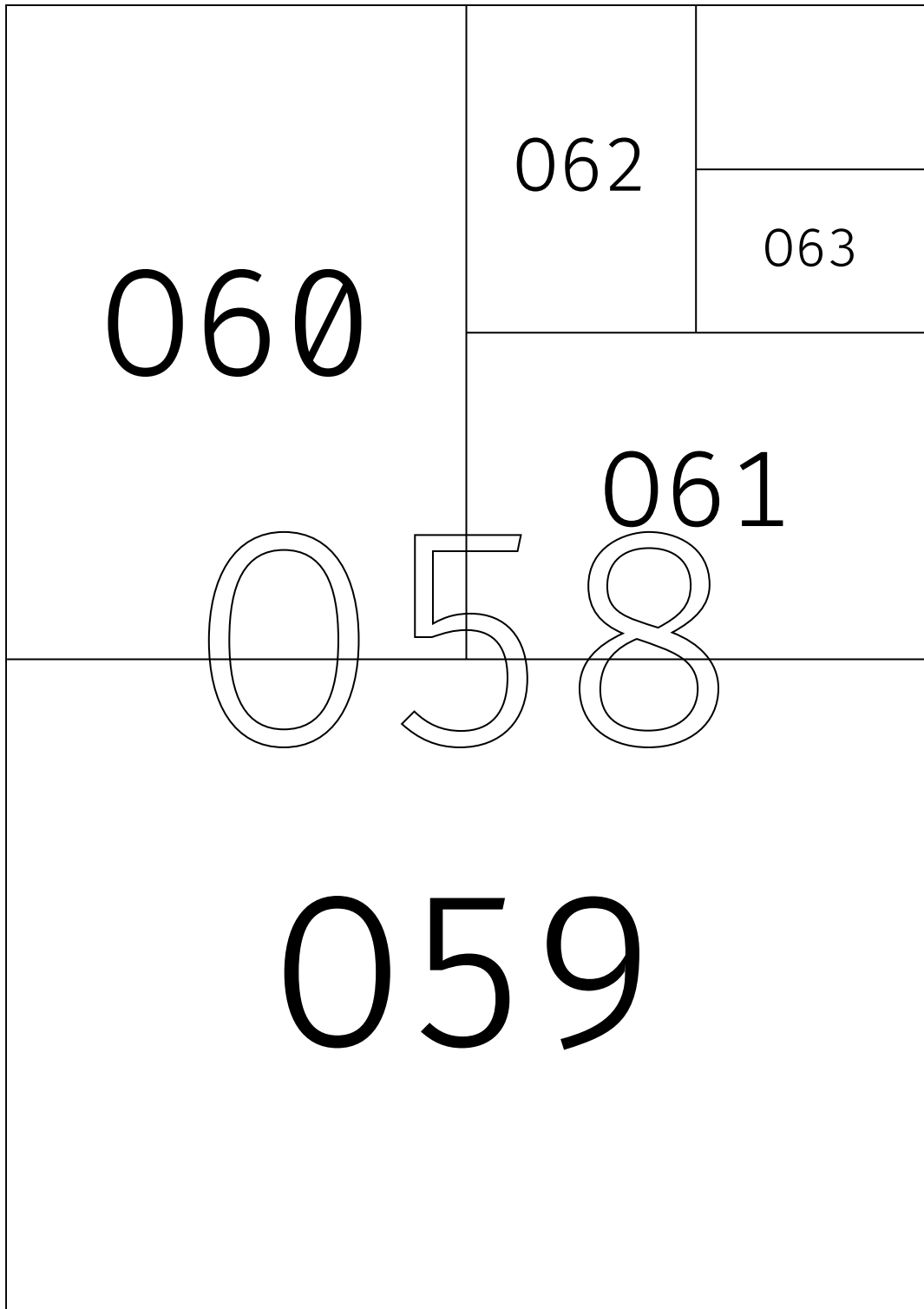
199 × 281 mm

144,115,188,075,855,872 per 00

≈ 25,176,915.061 km<sup>2</sup> lost due to rounding

057 ≡ omicron fifty-seven

140 mm



199 mm

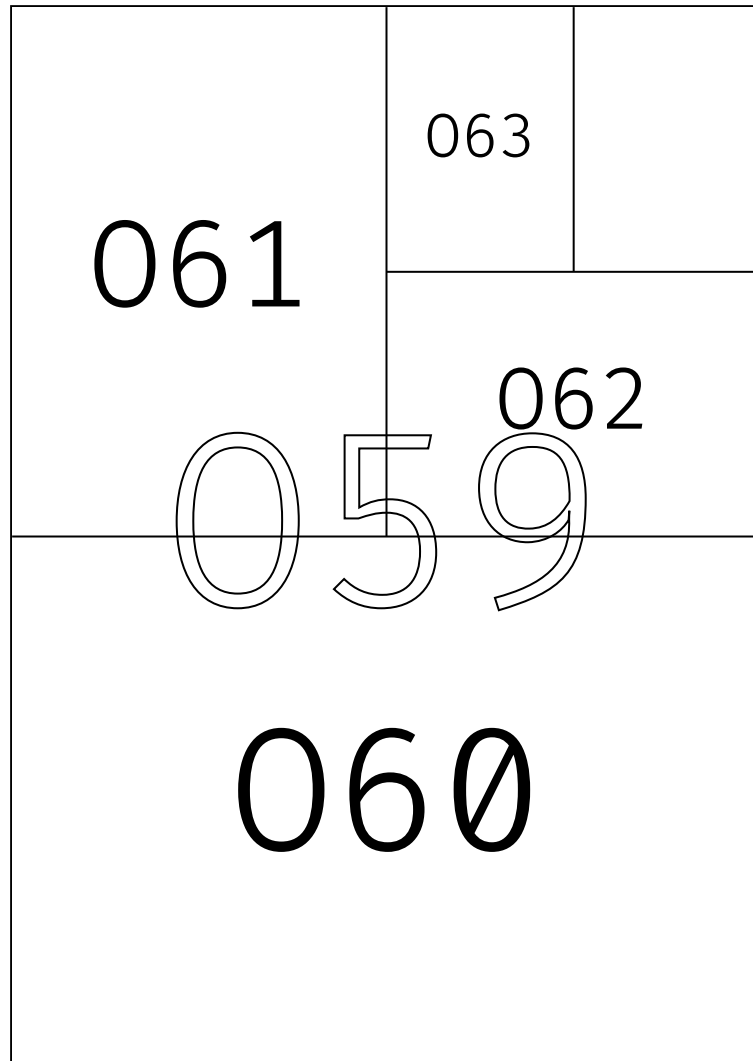
140 × 199 mm

288,230,376,151,711,744 per 00

≈ 53,855,837.488 km<sup>2</sup> lost due to rounding

058 ≡ omicron fifty-eight

99 mm



140 mm

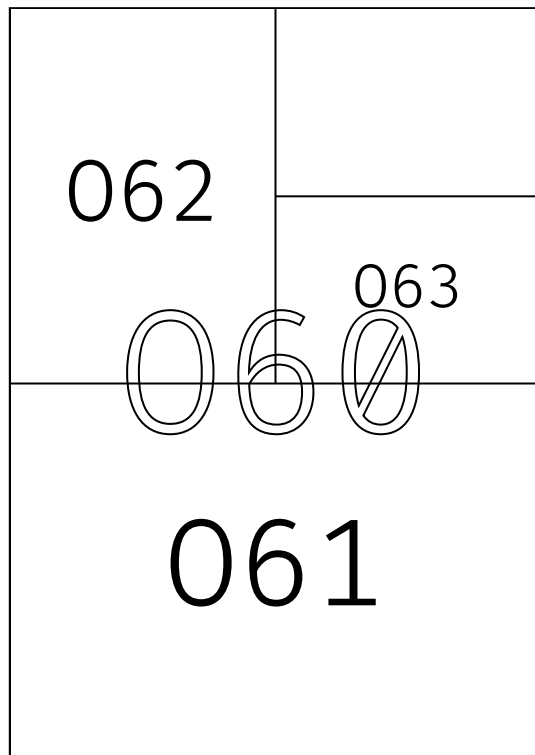
99 × 140 mm

576,460,752,303,423,488 per 00

≈ 94,208,090.149 km<sup>2</sup> lost due to rounding

059 ≡ omicron fifty-nine

70 mm



99 mm

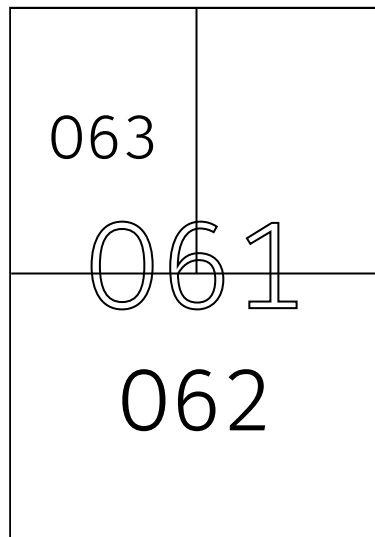
70 × 99 mm

1,152,921,504,606,846,976 per 00

≈ 94,208,090.149 km<sup>2</sup> lost due to rounding

060 ≡ omicron sixty

49 mm



70 mm

49 × 70 mm

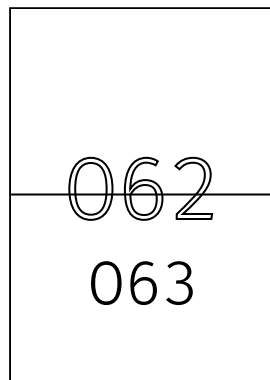
2,305,843,009,213,693,952 per 00

≈ 174,912,595.472 km<sup>2</sup> lost due to rounding

061 ≡ omicron sixty-one



35 mm



49 mm

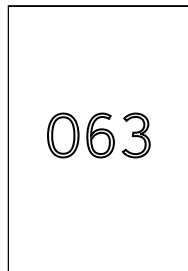
35 × 49 mm

4,611,686,018,427,387,904 per 00

≈ 174,912,595.472 km<sup>2</sup> lost due to rounding

062 ≡ omicron sixty-two

24 mm



35 mm

24 × 35 mm

9,223,372,036,854,775,808 per 00

≈ 336,321,606.117 km<sup>2</sup> lost due to rounding

063 ≡ omicron sixty-three